

Miniatur Power Relay PBH

HOT version

1pole 6A



- 1 C/O or 1 N/O contact
- Environmentally-friendly cadmium-free contacts
- Creepage/clearance to VDE 0435 and VDE 0700
- Class F coil system
- For ambient temperatures up to 105°C

Applications:
White goods, domestic appliances



Technical data of approvals on request

Contact data

Configuration	1 C/O contact or 1 N/O contact
Type of contact	Single contact
Rated current	6 A (mounting distance 3 mm) 4 A (closely packed)
Continuous thermal load to 105°C	6A
Maximum switching voltage	250 Vac / 100 Vdc
Maximum breaking capacity AC	1500 VA
Contact material	AgNi90/10

Contact rating

Type	Load	Operations
N/O	2 A, 240 Vac, 105°C	250 x 10 ³
N/O	5 A, 250 Vac, 105°C	150 x 10 ³
N/O	6 A, 250 Vac, 105°C	100 x 10 ³

Coil data

Nominal voltage	5...36 Vdc
Nominal coil power	360 mW
Operate power	200 mW
Operate category	90...110% U _{nom}
Non-release voltage	50 % U _{nom}
Release voltage min.	10 % U _{nom}

Coil versions DC coil

Coil-code	Nominal-voltage Vdc	Pull-in voltage Vdc	Release voltage Vdc	Coil resistance Ω	Coil Current mA
005	5	3.75	0.5	70 ± 10%	72.0
006	6	4.5	0.6	100 ± 10%	60.0
009	9	6.75	0.9	225 ± 10%	40.0
012	12	9	1.2	400 ± 10%	30.0
024	24	18	2.4	1600 ± 10%	15.0
036	36	27	3.6	3600 ± 10%	10.0

All figures are given for coil without preenergization, at ambient temperature +20°C
Other coil voltages on request.

Miniatur Power Relay PBH

HOT version

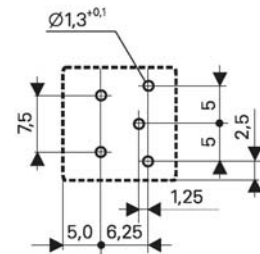
1pole 6A

Insulation

Dielectric strength	coil-contacts	2500 V _{rms}
	open contact-circuit	1000 V _{rms}
Surge voltage resistance	coil-contacts	4000 V (1.2 / 50 μs)
Clearance / creepage		3 / 4 mm
Insulation to IEC 664/VDE 0110 (1/89)		
Nominal voltage		250 V
Pollution degree		3
Overvoltage category		III
Insulation to VDE 0110b (2/79)		
Insulation category / reference voltage		C / 250
Insulation resistance		100 x 10 ⁶ Ω
Tracking resistance		> CTI 250

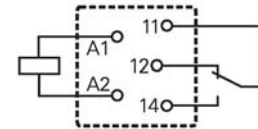
PCB layout / terminal assignment

View on solder pins
Dimensions in mm



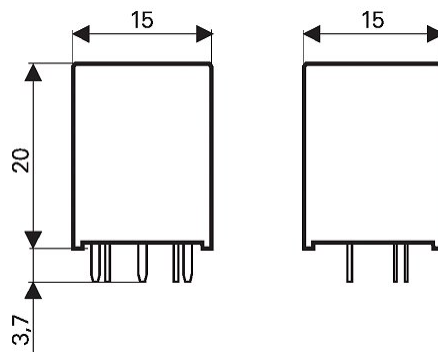
Other data

Flammability class UL	V-0
Insulation system	Class F
Ambient temperature	-20°C..+105°C
Mechanical life	> 2 x 10 ⁶ operations
Max. switching rate at rated- / minimum load	60 min ⁻¹ / 600 min ⁻¹
Operate- / release time max.	< 20 ms
Bounce time N/O contact / N/C contact typ.	< 15 ms
Vibration resistance 30..400Hz	> 4 g
Shock resistance (destruction)	> 30 g
Protection category	RT II (flux proof relay)
Soldering temperature / time, IEC 68-2-20	max. 260°C / 5 s
Relay weight	5.4 g
Packaging unit	35 / 1050 pieces



Dimensions

Dimensions in mm



Ordering Key

	PB	H	x	4	0 x x
Type					
Version	H: Hot Version				
Contacts	1: C/O 3: N/O				
Contact material	4: AgNi 90/10				
Coil	Coil code: please refer to coil versions table				

Other types on request